



# Surface Pro Series

Indoor Flexible LED Screen

**More Flexible More Creative**

*SHINING YOURS*

# CF Pro Series Indoor Version

## Fully Upgraded

- Smoother Circular Arc Mechanism, Effortless Angle Adjustment
- Single Panel Max. Curved  $\pm 45^\circ$
- Dual Flexible Modules, More Seamless
- Patented Anti-collision Design
- More Solid Panel Structure

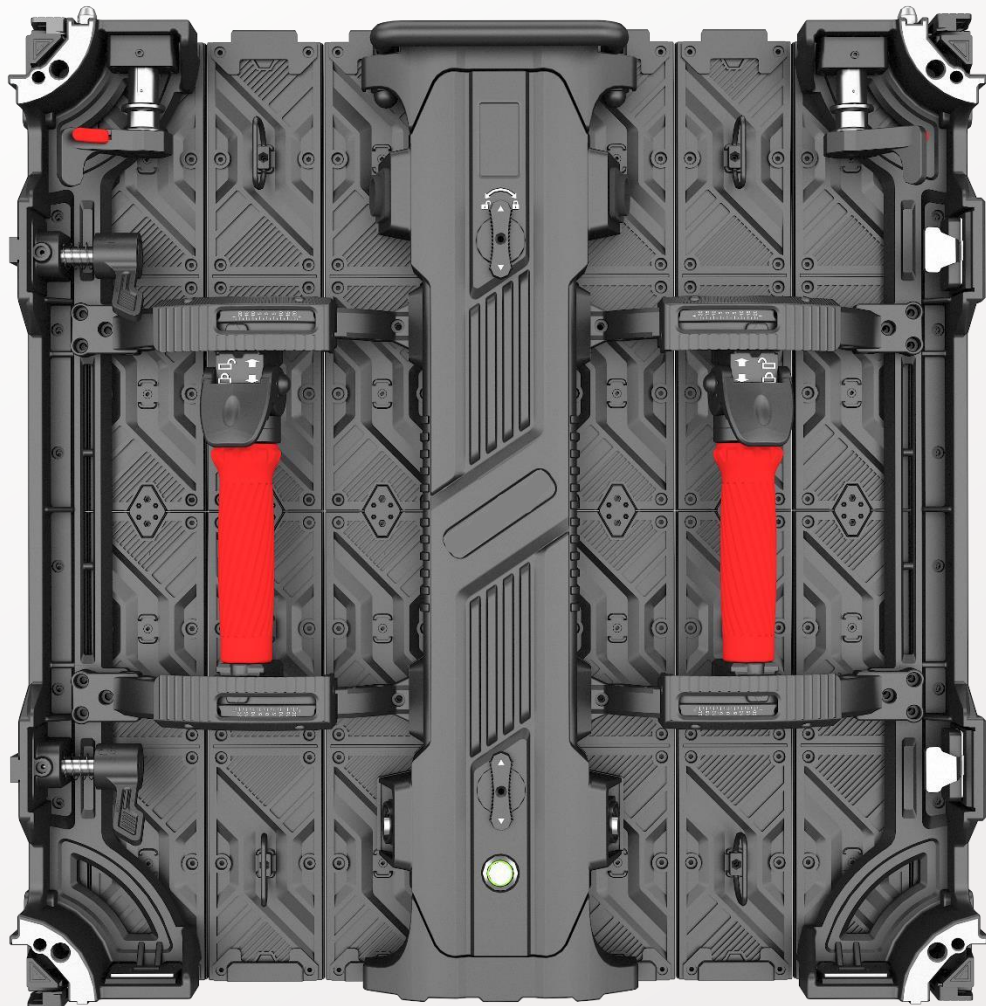




01

**Product  
Display**

# CF Pro Series



Pixel Pitch: 1.56/1.95/2.38/2.6/2.97/3.91mm

Viewing Angle: H:160° V:140°

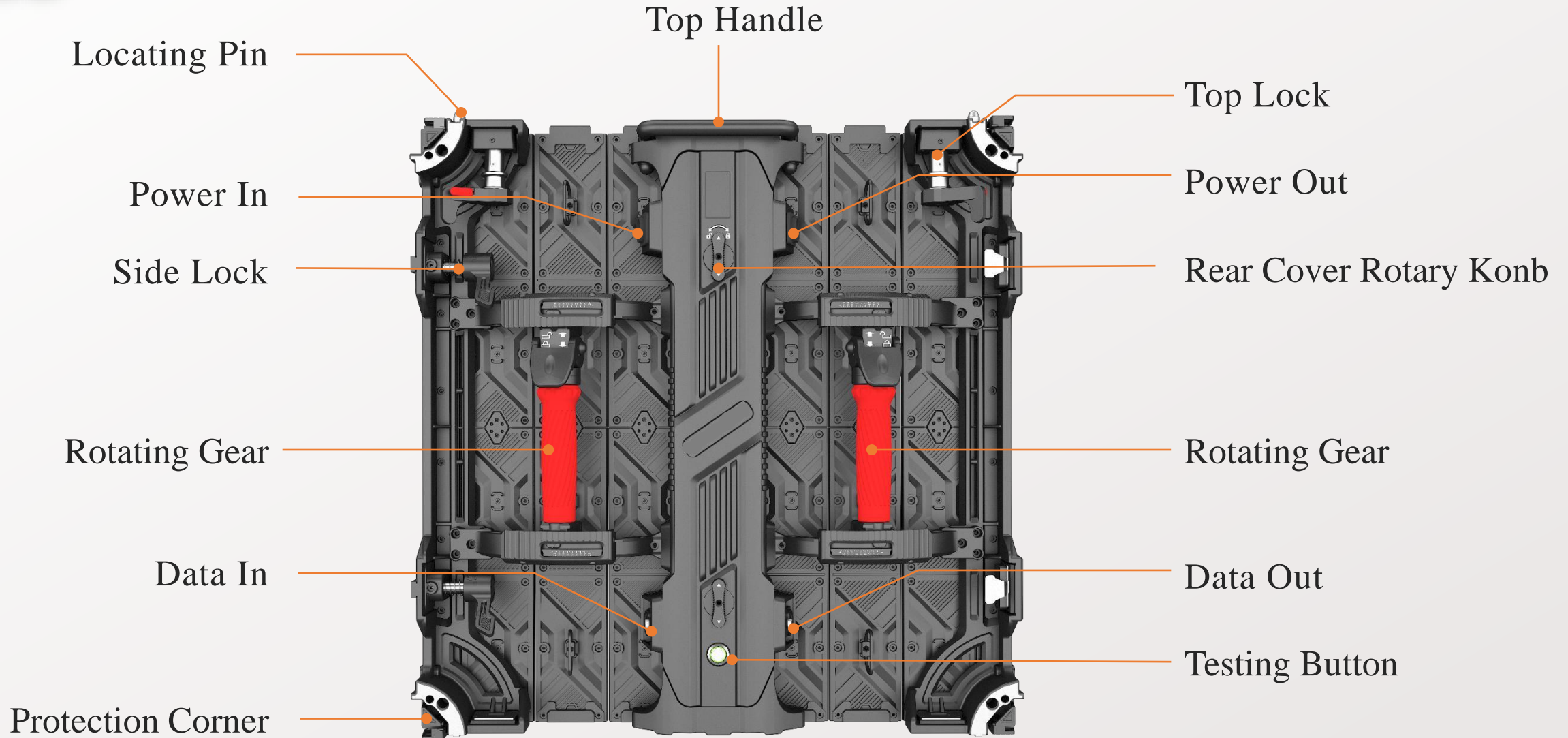
Refresh Rate: 3840Hz/7680Hz

Single Panel Max. Curve:  $\pm 45^\circ$

Protection Level: IP30

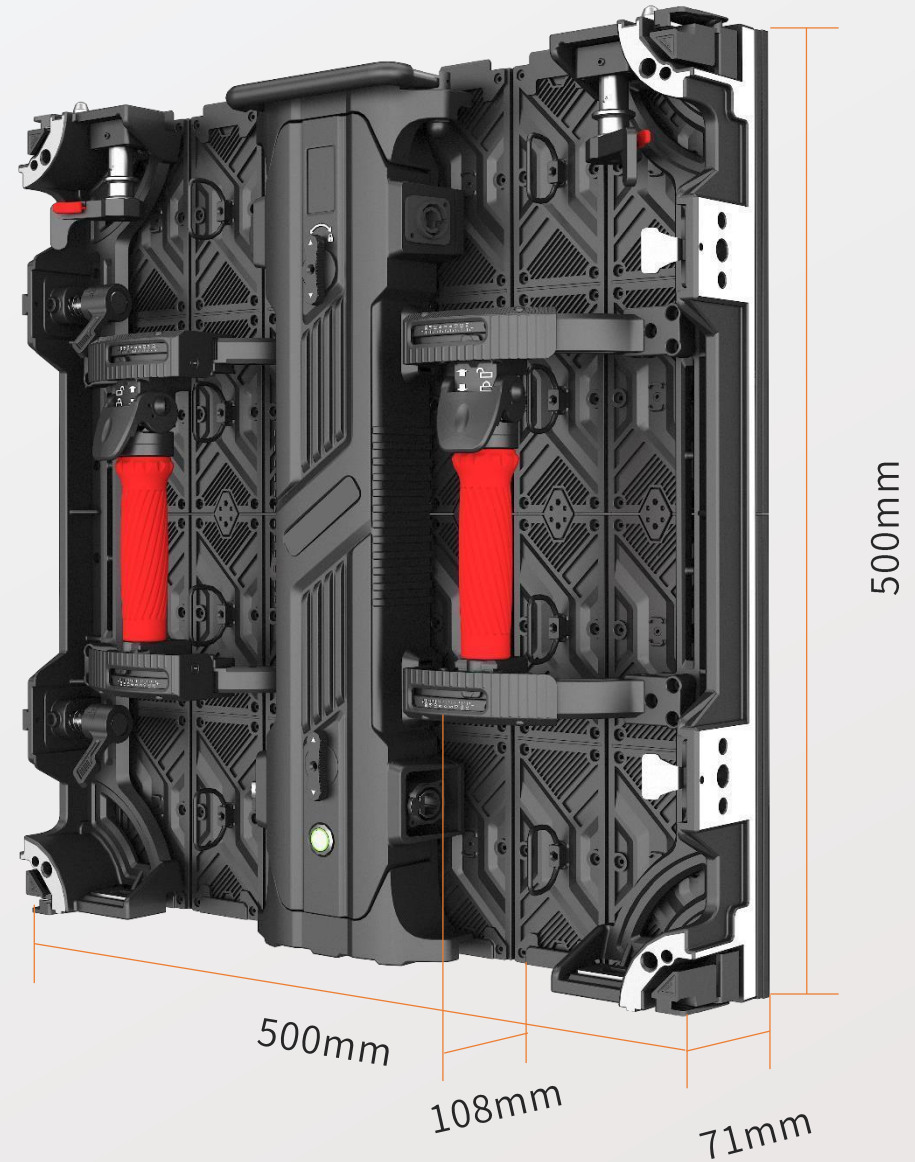
Usage: Indoor

# Structure



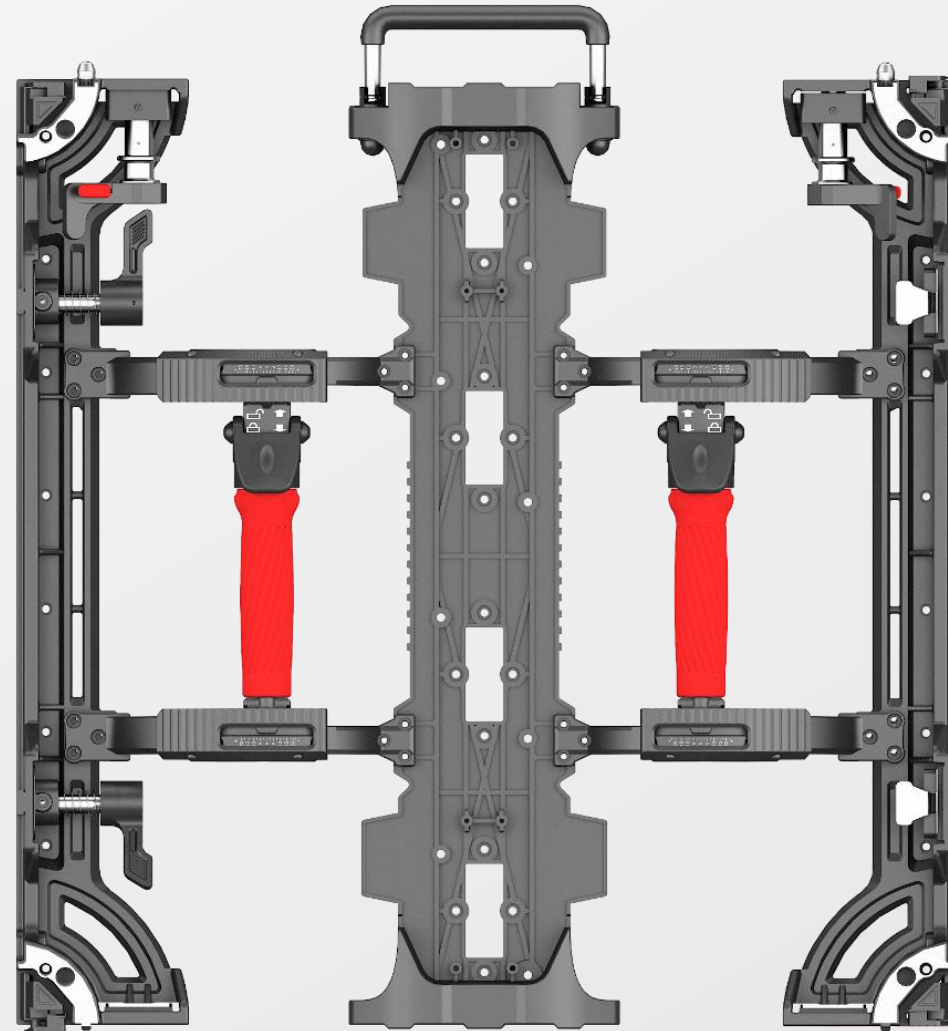
# Specification

- **Panel Weight:**  
8.5 KG  $\pm$  10%
- **Panel Dimension(W\*H\*D):**  
500mm  $\times$  500mm  $\times$  108mm



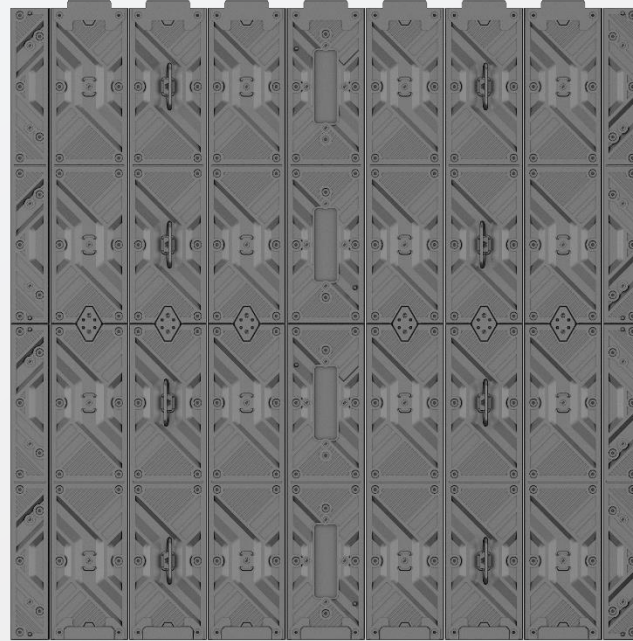
# Solid Frame

- Integrated Cabinet Design  
Solid and Beautiful Frame

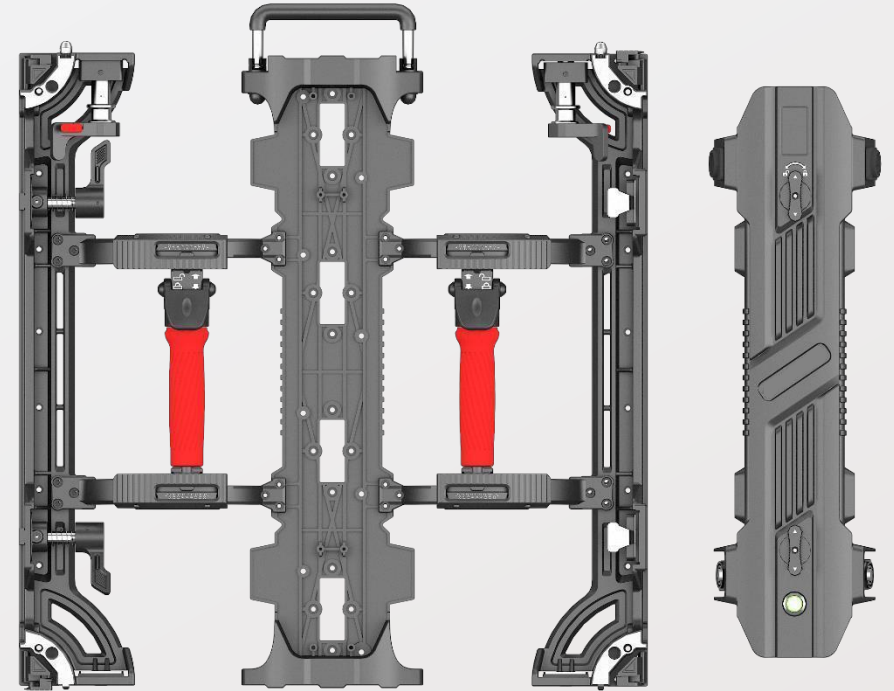


# Dual Flexible Modules

- Dual Flexible Modules Design  
(500mm × 250mm)  
More Flatness, More Seamless  
Superior Display Performance



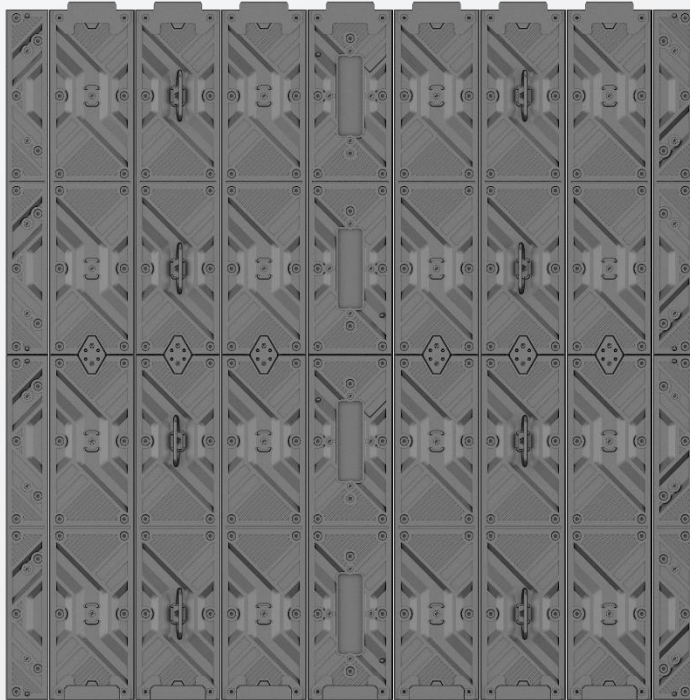
Flexible Modules



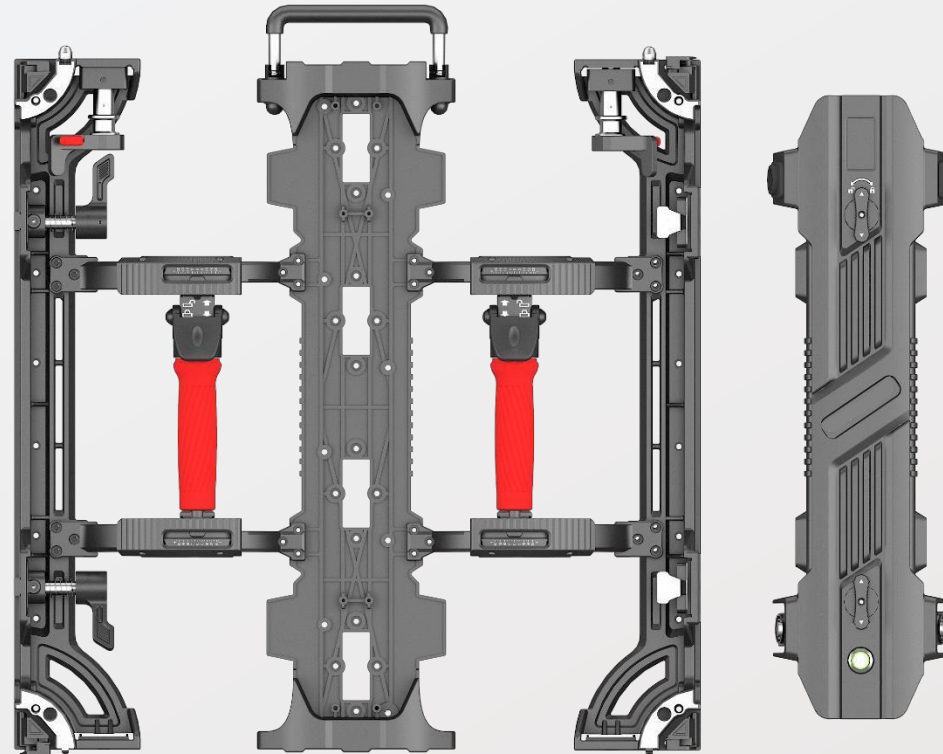
Cabinet Frame + Integrated Rear Cover

# Integrated Rear Cover

- (Power supply, receiving card, and HUB board all in one) Integrated rear cover for easy and efficient maintenance.



Flexible Modules



Cabinet Frame

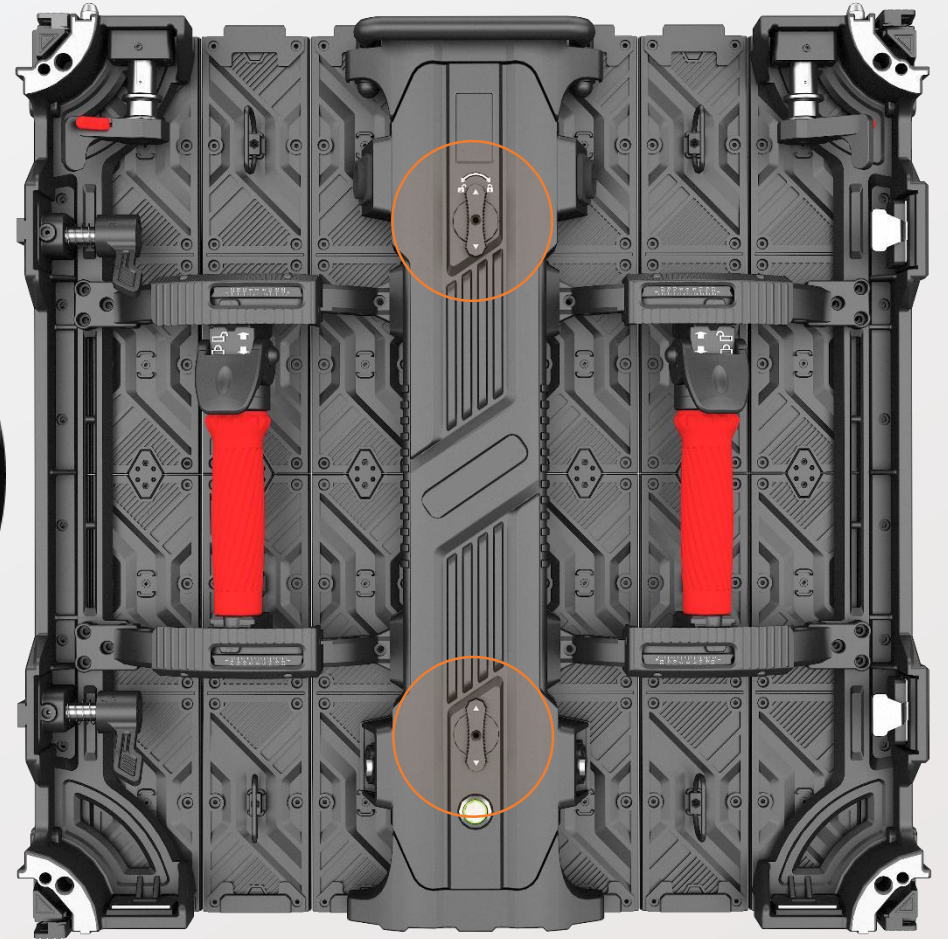
Integrated Rear Cover

# Rotary Knob Design

- Features a tool-free rotary knob design, instead of screws or buckles locked, enabling more stable & convenient disassembly and maintenance.

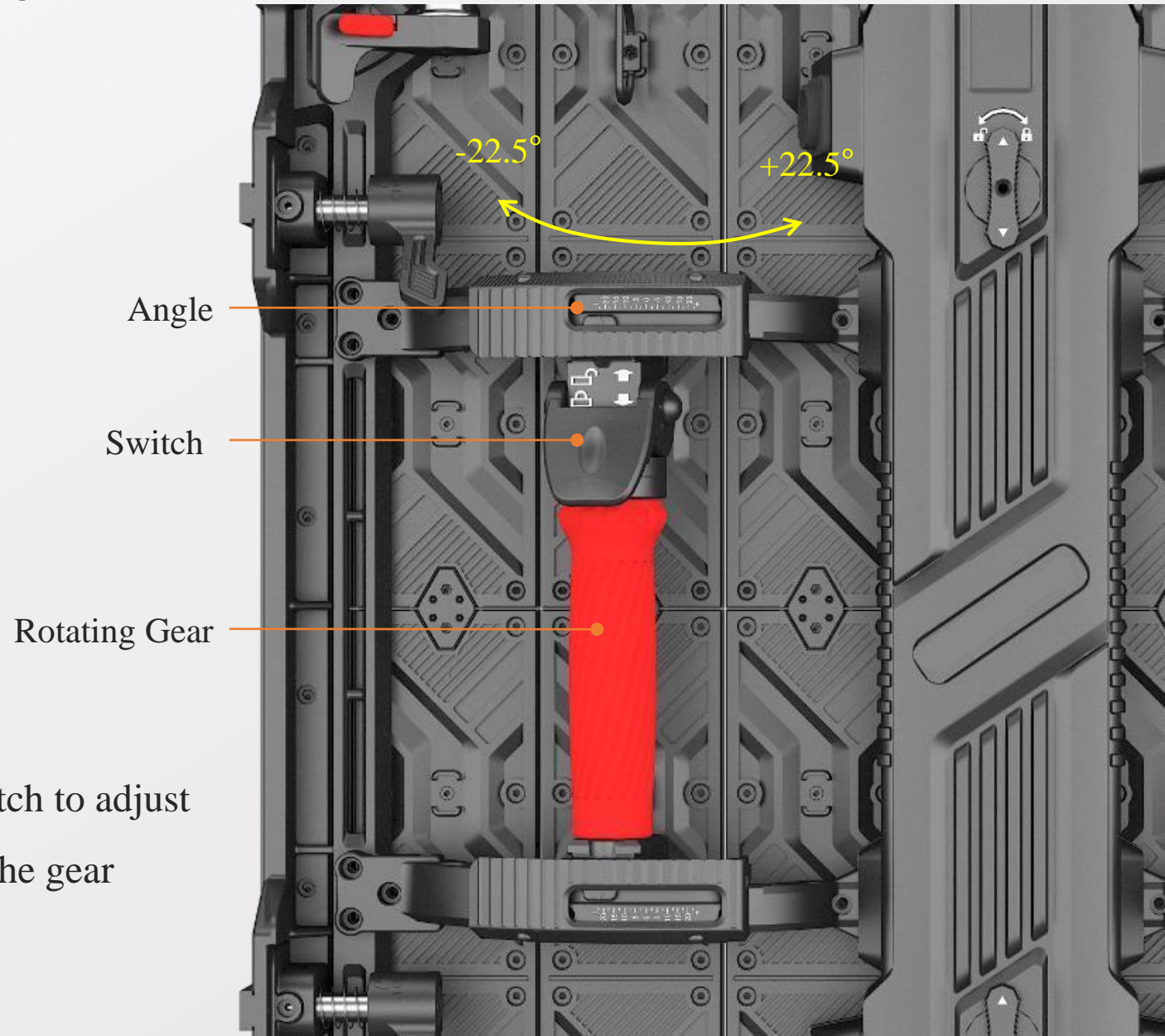


Rotary Knob



# Angle Lock Upgrade

- Smoother Circular Arc Mechanism:  
Fast and accurate angle adjustment
- Humanized Design:  
Fit the hand operation habit
- Angular Adjustment Procedures:  
① Hold the rotating gear → ② Push upward the switch to adjust the angle → ③ Push downward the switch to lock the gear



# Single Panel “S” Shape

- Single panel can achieve perfect “S” shape
- Left and right  $0^\circ \sim \pm 22.5^\circ$  each, maximum curve  $45^\circ$ , effortless curvature.



- Angle:  $-45^\circ/-42.5^\circ/-40^\circ/-37.5^\circ/-35^\circ/-32.5^\circ/-30^\circ/-27.5^\circ/-25^\circ/-22.5^\circ/-20^\circ/-17.5^\circ/-15^\circ/-12.5^\circ/-10^\circ/-7.5^\circ/-5^\circ/-2.5^\circ/0^\circ/2.5^\circ/5.0^\circ/7.5^\circ/10^\circ/12.5^\circ/15^\circ/17.5^\circ/20^\circ/22.5^\circ/25^\circ/27.5^\circ/30^\circ/32.5^\circ/35^\circ/37.5^\circ/40^\circ/42.5^\circ/45^\circ$

# Cylindrical Shape

- Cylindrical shape can be achieved by merely 8 cabinets, minimum outside diameter is 1.273m



# Anti-collision Corners

- Cabinet corners are reserved for protection corner installation.
- The optional protection corner can protect corner LEDs from damage due to collisions.





02

**Display  
Effect**

# Excellent Performance



▲ Live-action photography in aging test area

- Equipped with superior components and IC
- Excellent, consistent and longevity performance

# Wide Viewing Angle



- With H:160°, V:140° viewing angle, the picture is complete with no shadows.
- Ultra HD, Vivid Colors, Detailed Reproduction

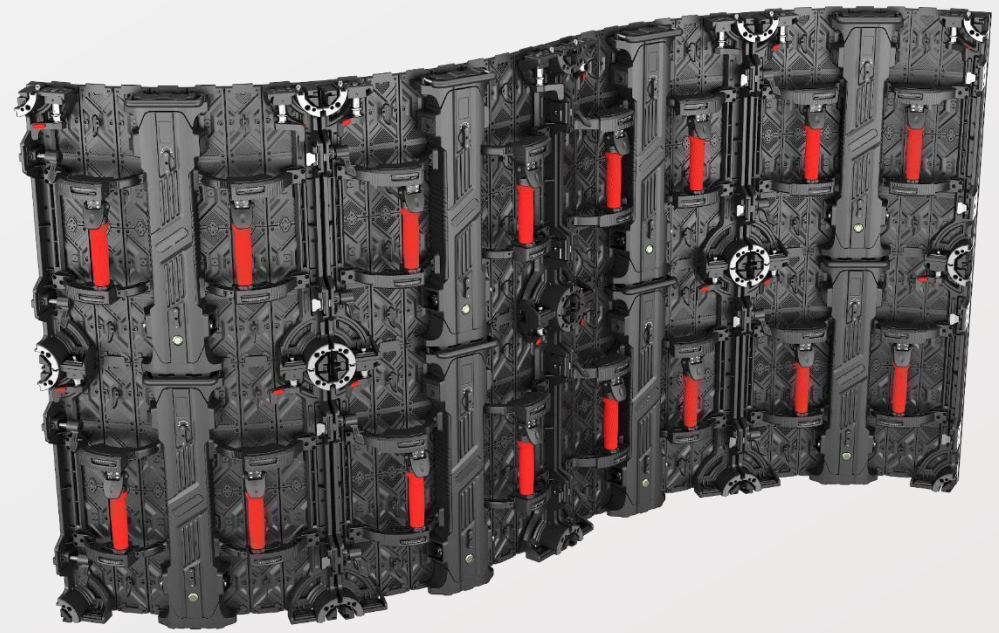




03

Creative  
Shapes

# Flexible And Creative



- “S” Shape

# Concave and Convex



- Concave



- Convex

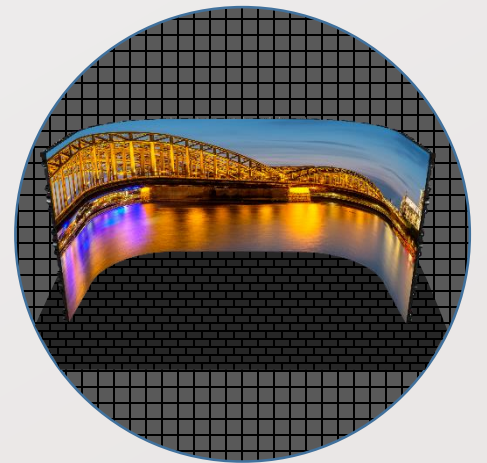
# Multiple Installation

- The CF Pro series supports combined with MV Pro, DN-B, PL, CB-S Series
- Quickly Build Versatile Shapes



- Combine with DN-B, PL, CB-S Series Versatile Stage Shape

- Combine with MV Pro Series -XR Virtual Studio



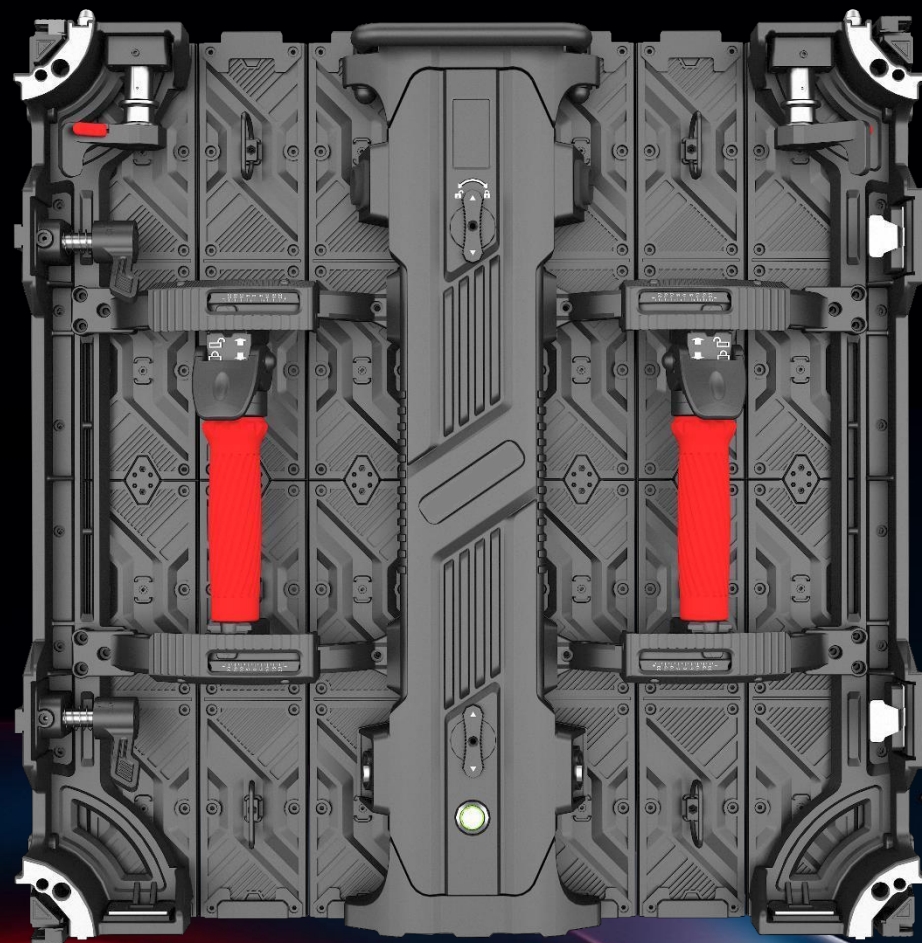
# Curface Pro Series

## XR Virtual Studio

### Professional Flexible Screen



CF Pro + MV Pro + AR X





**04**

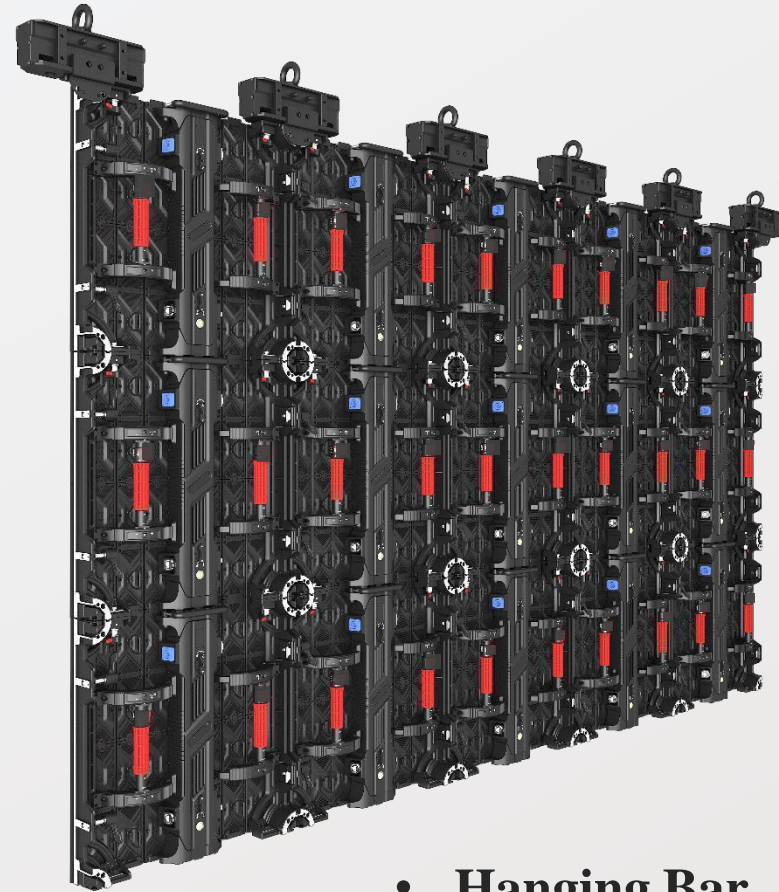
**Installation  
&  
Maintenance**

# Installation



- **Ground Stacking Frame**

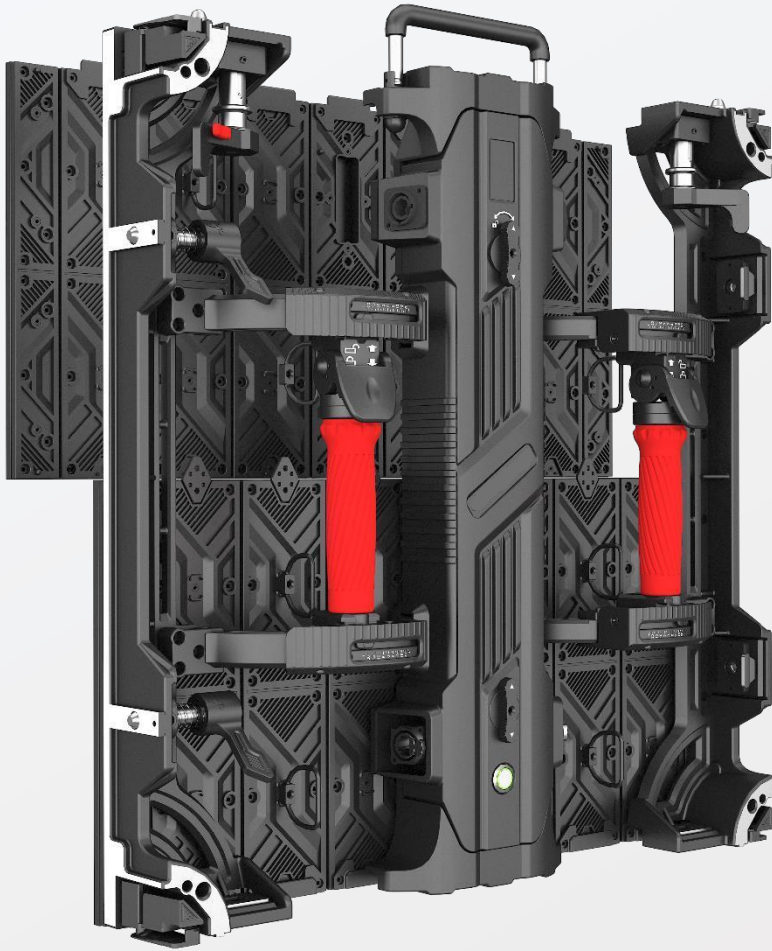
The maximum height of screen for stacking installation is 10 cabinets



- **Hanging Bar**

The maximum height of screen for hanging installation is 10 cabinets

# Maintenance



- Module Maintenance:  
Remove the screws from the rear, and push the module forward



**05**  
**Parameter**

Model No.	CFPro1.5(Indoor)	CFPro1.9(Indoor)	CFPro1.9(Indoor)	CFPro2.38(Indoor)	CFPro2.6(Indoor)	CFPro2.9(Indoor)	CFPro3.9(Indoor)
Pixel Pitch	1.56mm	1.9mm	1.9mm	2.38mm	2.6mm	2.9mm	3.9mm
LED Type	SMD1212	SMD1212/2 in 1	SMD1515	SMD1515	SMD1515	SMD2020	SMD2020
Packaging technique	HOB	SMD	HOB	SMD	SMD	SMD	SMD
Pixel Density	409600 pixel/m <sup>2</sup>	262144 pixel/m <sup>2</sup>	262144 pixel/m <sup>2</sup>	176400 pixel/m <sup>2</sup>	147456 pixel/m <sup>2</sup>	112896 pixel/m <sup>2</sup>	65536 pixel/m <sup>2</sup>
Panel Dimension	500mm*500mm*108mm						
Panel Resolution	320*320 pixel	256*256 pixel	256*256 pixel	210*208 pixel	192*192 pixel	168*168 pixel	128*128 pixel
Scan Rate	1/32	1/32or1/16	1/32or1/16	1/15	1/24or1/16	1/21	1/16
Brightness	700-1000nits	800-1200nits	800-1200nits	800-1200nits	800-1200nits	800-1200nits	800-1200nits
Refresh Rate	3840Hz/7680Hz						
Gray Scale	14-16bit						
Color Temperature	6500-9500K						
Panel Weight	8.5kg±10%						
Cabinet Material	Die-Casting Cabinet						
Max Power Consumption	≅ 540w/m <sup>2</sup>						
Ave Power Consumption	≅ 270w/m <sup>2</sup>						
Viewing Angle	H:160°V:140°						
Working Voltage	AC100-240V~50/60Hz or AC200-240V~50/60Hz						
IP Rating	IP30						
Serviceability	Rear						
Curve	New Angle Lock : -22.5°/-20°/-17.5°/-15°/-12.5°/-10°/-7.5°/-5°/-2.5°/0°/+2.5°/+5°/+7.5°/+10°/+12.5°/+15°/+20°/+22.5°						
Max Stacking/Hanging	5m						
Lifetime	50000h						
Operating Temp/Humidity	-20°C~+45°C; 10%~60%RH						
Storage Temp/Humidity	-40°C~+60°C; 10%~60%RH						
Processing platform	Novastar/Colorlight/Magnimage						
Product Certification	CCC/CE/MET						

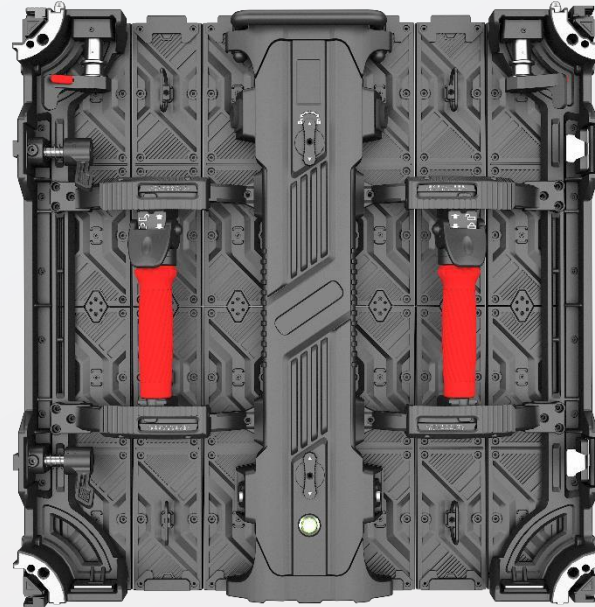


**06**  
**Packing**

# Packing



=



× 8 pcs

- Packing: 8 in 1 CF Pro
- Eco-friendly Material: E1 grade wood board
- Secure: Round binding & bumper strip exterior
- Anti-static: Technical anti-static fabric lining
- Strong Load-bearing: Max load 400KG
- Customized Packing Available